



Smart

"Standard" rapid roll-up door with interchangeable-section curtain



Simple, agile and compact. Highly rational, without giving up quality

Smart has been designed with the aim of developing a door that is highly rational and modular, to ensure easier installation and trouble-free operation on component parts. A sturdy and compact supporting structure, original motorisation and components, excellent design and full testing along with curtain modularity; these are the features that make Smart a reliable door, with a very refined appearance but, above all, easy and quick to fit and practical to service and inspect.

Compact structure

Smart features a very compact supporting structure and reduced overall dimensions, is very reliable and refined in terms of appearance and comes in galvanised metal plate or STAINLESS steel. Thanks to the very reduced overall dimensions, this door can be installed where space is at a premium.

Motorisation

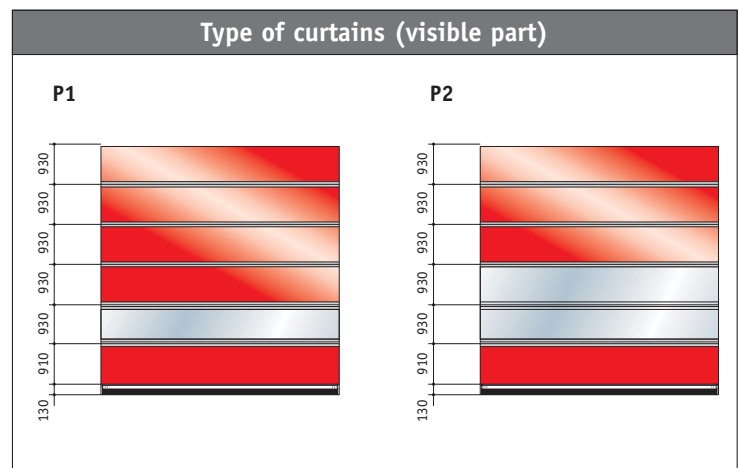
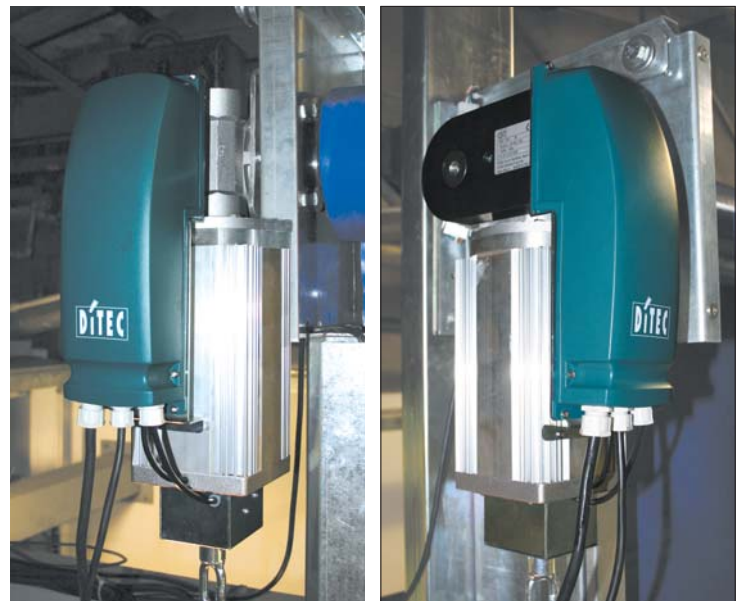
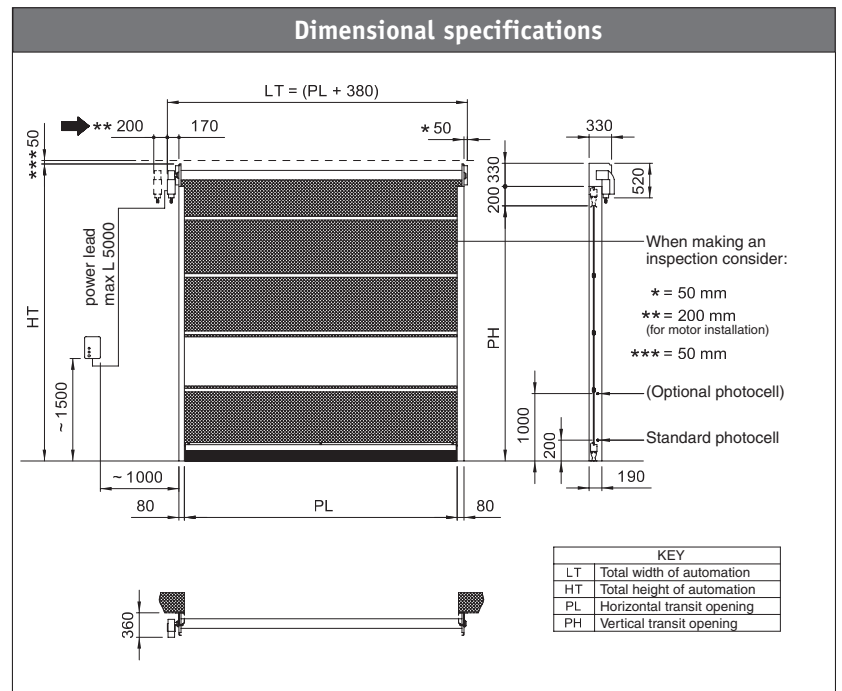
The motorisation, located outside the door structure, is complete with manual emergency re-opening device, with operation by means of a special movement rod. It also consists of a complete motor, reduction unit, brake and limit switch assembly. The primary parts of the automation are identical to those already fitted and thoroughly tested on other motorisations.

Curtain modularity

Thanks to the curtain modularity, coloured and transparent sections can be fitted according to specific needs and any sections can be easily replaced if accidentally damaged.

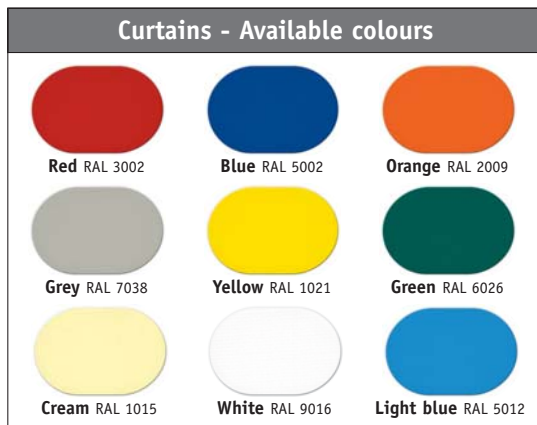
A practical solution for all requirements

Simple, agile and extremely compact, this is a highly effective solution for industrial, commercial sectors and large-scale distribution, able to cater for frame dimensions of up to 4 X PH 4.5 m.



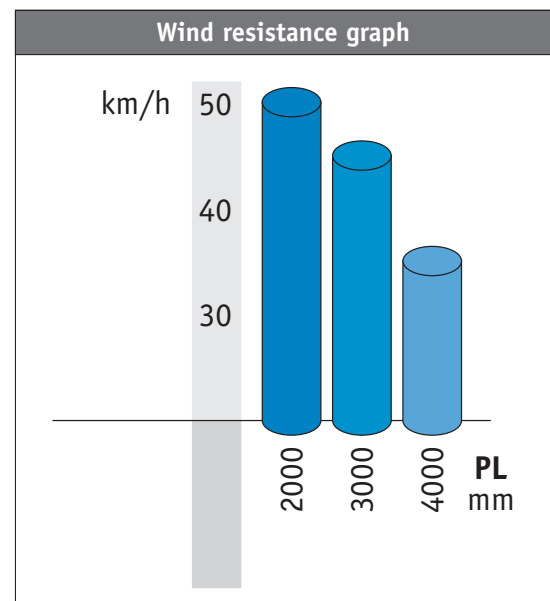
▶ Main technical specifications

- ▶ Self-supporting metal structure, extremely compact, made of electrically galvanised steel (**T1**, **T1X**) or fine satin-finish AISI 304 stainless-steel (**T1Y**) profile sections, complete with quick wiring and safety photocells.
- ▶ **RAL**, extra charge for oven-baked epoxy coating with smooth finish.
- ▶ Axial gearmotor **IP 54** for heavy-duty use: 400 V three-phase, opening/closing speed 0.8 m/s.
- ▶ Electronic panel **IP 55** with partial opening and open-close-emergency stop push-button panel; autotest function.
- ▶ Manual emergency opening device complete with movement rod.
- ▶ Safety rib made of extruded anodised aluminium with **ACS Anti-crash System** in various versions.



▶ Technical specifications of curtain

- ▶ Extruded in anodised aluminium compact model, containing the interchangeable sections.
- ▶ Max resistance to wind pressure: up to 50 km/h.
- ▶ Flexible curtain in self-extinguishing material with a standard from the centre distance of approx. 930 mm:
 - **P1** polyester class 2, with 1 window section.
 - **P2** polyester class 2, with 2 window sections.



▶ Technical specifications

Description	rapid roll-up door, model with interchangeable sections
Power supply	400 V three-phase 50/60 Hz
Insulation class	Class 1
Input	2 A
Power	600 W
Reduction ratio	1:28
Drive	Direct by gearmotor with curtain winding pipe
Opening speed	0.8 m/s
Closing speed	0.8 m/s
Transit opening PL x PH	Minimum = 1500 x PH 2100, maximum = 4000 x PH 4500
Curtain type	Sections in polyester fabric and transparent PVC, fitted in extruded aluminium sections
Curtain thickness	Polyester fabric = 0.6 mm transparent PVC = 2 mm
Self-extinguishing factor	Polyester fabric = class 2 transparent PVC = DIN 4102
Safety rib	CPA type electropneumatic with pressure switch, type CFA electronic with self-controlled photocell
Release for manual opening	Movement rod to be fitted in the bottom part of the gearmotor
service class	4 heavy duty
Intermittency	S2 = 20 minutes S3 = 30%
Operating temperature	-20°C ÷ +55°C
Curtain operating temperature	-5°C ÷ +50°C
Protection degree	IP 54
Prearrangements	See installation manual
Electronic control panel	5QE44E

Control and safety systems

- ▶ **RMM** - Microwave radar with function discrimination: vehicle - pedestrian direction of movement
- ▶ **TEL 2** - Remote control for the remote adjustment of radar RMM
- ▶ **BIX LP2** - Self-learning mini two-channel transmitter
- ▶ **BIX LP2P** - Two-channel palm top transmitter 433 MHz
- ▶ **LAB 9CS** - Receiver with cable for magnetic spiral
- ▶ **LAMP H** - 24 V flashing light
- ▶ **XEL 2** - Infra-red photocell for outside fitting, general use
- ▶ **APS** - Automatic anti-panic system
- ▶ **INVERTER** - electronic panel with speed adjustment

